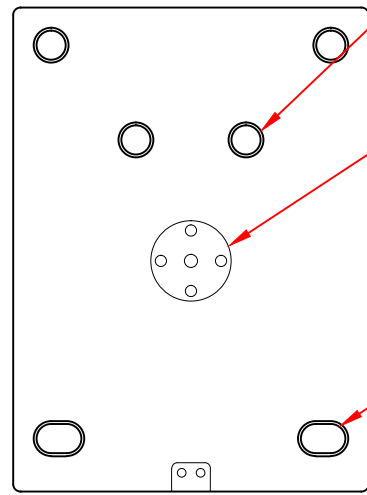
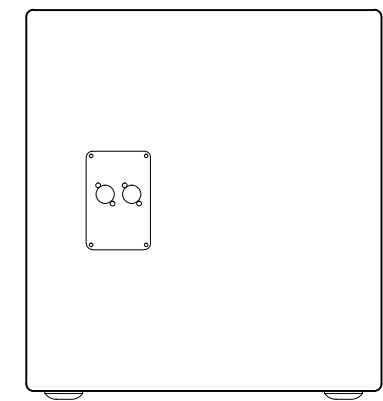
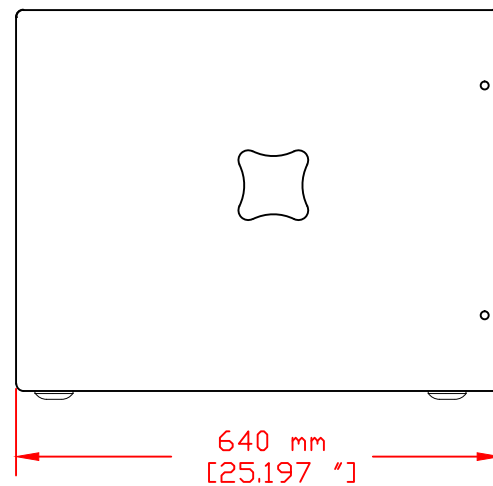
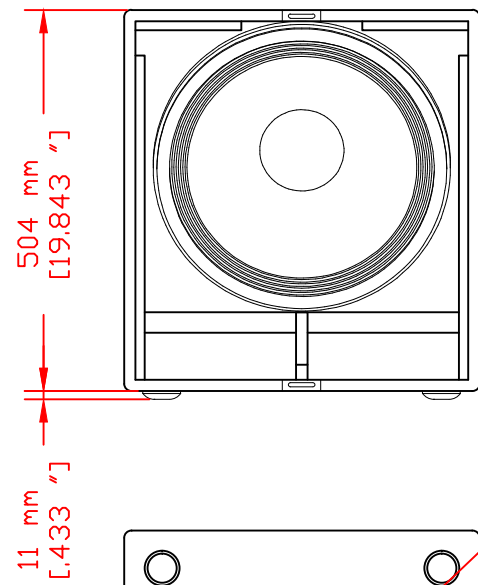


Plastic Sliders



Stacking Grooves for 'LINE 212'

Fixing Plate for Distance Rod M20 (K&M 24115)

Stacking Grooves

Weight 35.3 kg / 77,82 lbs	Catalog No.	Filename KF_SW_115E.dwg	Date 23.06.2005	NOT TO SCALE
Kling & Freitag GmbH junktorsstrasse 14 D-30179 Hannover www.kling-freitag.de		SW 115E		
		CVL0023a	Rev. 1	Sheet 1/1

INFORMATION IN THIS DOCUMENT IS THE SOLE PROPERTY OF KLING & FREITAG GmbH.
REPRODUCTION OF ALL OR ANY PART OF THIS DOCUMENT WITHOUT WRITTEN PERMISSION FROM
KLING & FREITAG GmbH IS PROHIBITED.